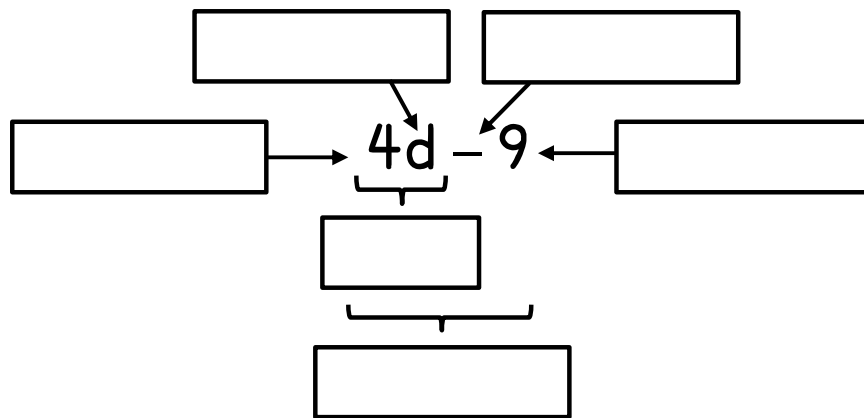


SIMPLIFYING EXPRESSIONS

EXPRESSION	<ul style="list-style-type: none"> A mathematical phrase that can contain _____, _____ and _____ (like addition and subtraction). An expression does _____ have an equal sign.
TERM	<ul style="list-style-type: none"> A term is a _____ or a _____ in an expression. Separated by _____ and _____ signs. Ex: _____
COEFFICIENT	<ul style="list-style-type: none"> The number in front of a _____.
LIKE TERMS	<ul style="list-style-type: none"> Must have both the same base (or _____) and the same exponent (or _____).

Label the various parts of the expression below.



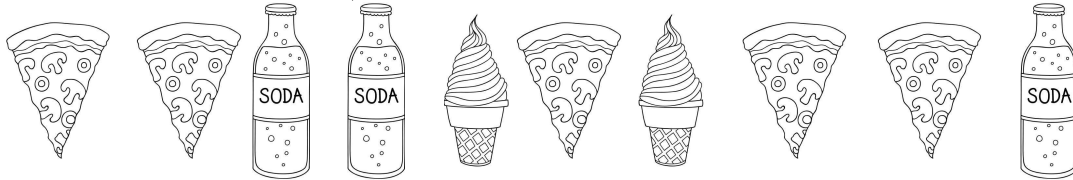
Use the definitions above to help you complete the following.

<p>1. Give an example of an expression with three terms.</p>	<p>2. List all the terms in the expression below.</p> $8c - 5 + 4c^2 + 2b$	<p>3. Circle the coefficients in the expression below.</p> $5g + 7h - 4 - 2g$
<p>4. Give an example of a like term for each of the following:</p> <p>a. -50 _____ b. $3b$ _____ c. $-5a$ _____ d. x^2 _____</p>		

SIMPLIFYING EXPRESSIONS

- We can simplify algebraic expressions by combining _____.
- Be careful when you are combining terms to check the _____ that is in front of the term.

The Robinson family ordered snacks at the State Fair. They bought the following drinks (d), pizza (p), and ice cream cones (c).



- Write an expression to represent their purchases: _____
- Simplify the expression by combining like terms: _____
- Explain how this example can relate to an algebraic expression.

Color code or use a shape to identify each term and combine like terms. The first one has been done for you. In questions 5-8, simplify the expression.

$$\boxed{14b} + \boxed{8} + \boxed{6b} - \boxed{12}$$

$$20b - 4$$

$$4.2j + 6.7j - 5j - 5$$

$$20c + 8d + 10c - 5d$$

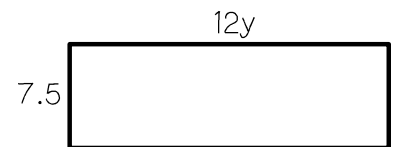
5. $7a - 6 + 8a$

6. $-3d + 8d - 5d$

7. $1.5g - 10 + 6.5g - 3$

8. $\frac{1}{2}h + 2h + \frac{3}{2}h - 1$

9. Write and simplify an expression that represents the perimeter of the rectangle shown.



10. The Jacksons earned d dollars in a garage sale last weekend. Their neighbors, the Thompsons, also had a garage sale and earned 35% more than the Jacksons. Circle any of the expressions that could be used to represent the amount of money that the Thompsons earned.

A

$$0.35d$$

B

$$d + 0.35d$$

C

$$d + 0.35$$

D

$$d + 1.35d$$

E

$$1.35d$$

