

EARTH'S LAYERS

The Earth is a large planet that is made up of many layers. It takes about 4,000 miles from the surface to reach the center. The outermost layer of the Earth is called the crust. It is made up of rocks, soil, and minerals. This layer is cool to the touch and about 5 miles thick below the oceans and 25 miles thick below the continents.

The next layer below the crust is the mantle. The mantle is the thickest layer of the Earth. It is about 1,800 miles thick! The first 50 miles is hard rock. Below that is about 150 miles of molten rock. Molten rock is rock that is so hot that it has melted and can flow. Then, below that, there is another layer of hard rock.

Below the mantle is the outer core. The outer core begins about 3,000 miles below the Earth's surface. In the outer core, you will find very hot liquid lava. This layer of the Earth is magnetic.

The last layer of the Earth is the inner core. It is about 900 miles deep. There is a lot of heat and pressure in the inner core. It is about 9,000 to 13,000 degrees Fahrenheit! Because there is so much pressure, the rocks cannot melt and remains a solid.

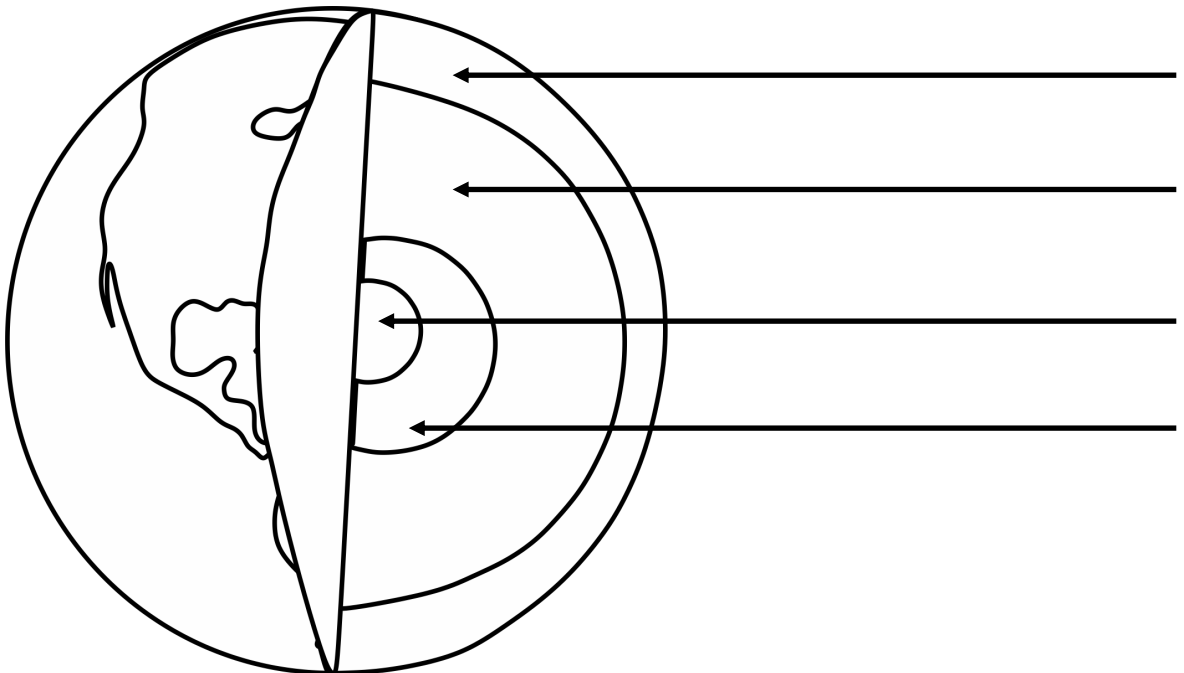
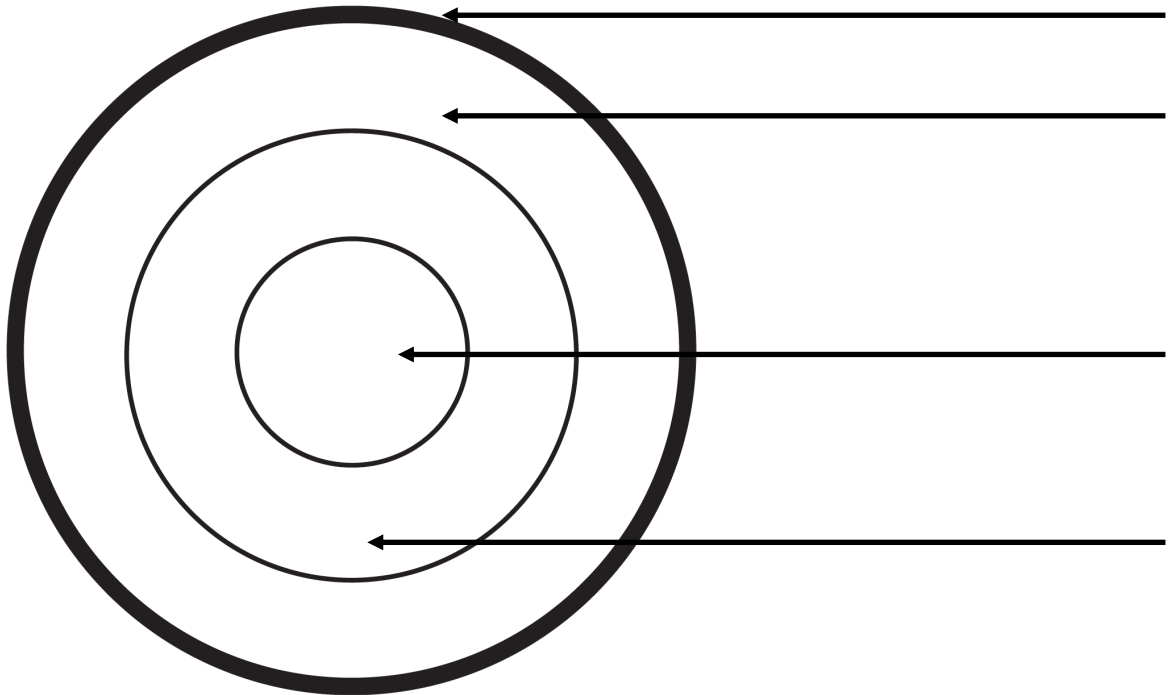
Fill in the blanks to complete the sentence.

1. The _____ is the outermost layer of the Earth.
2. The _____ layer of the Earth is the mantle.
3. _____ rock is so hot that it melts and can flow.
4. The outer core of the Earth is _____.
5. There is a lot of _____ and _____ in the inner core.
6. Scientists believe the inner core is _____ rock despite it being extremely hot.

let's learn about **EARTH'S LAYERS**

Label the diagrams showing the layers of the Earth.

The first diagram shows what Earth will look like inside if it was cut in half. The second is a 3D diagram of the Earth.



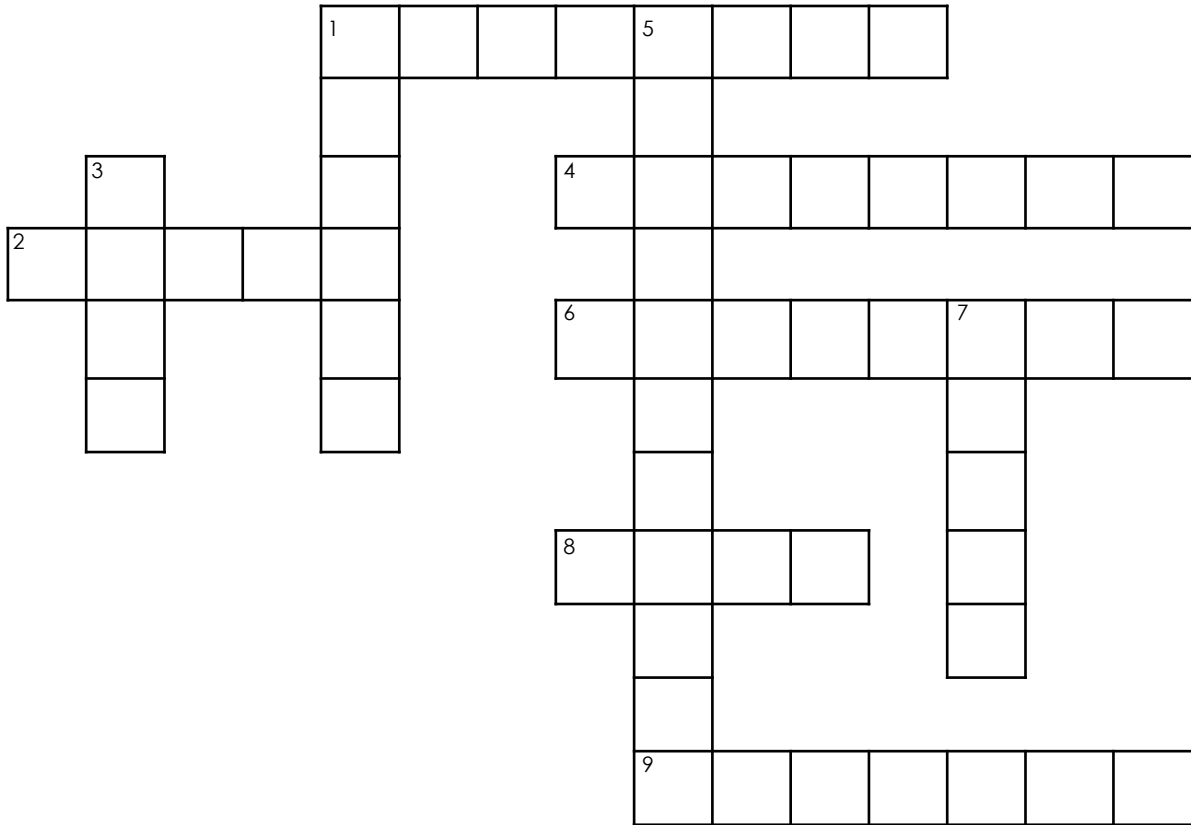
let's learn about
EARTH'S LAYERS VOCABULARY

WORD	DEFINITION	PICTURE
Crust		
Mantle		
Inner Core		
Outer Core		

let's learn about **EARTH'S LAYERS**

Name: _____

Complete the crossword puzzle using the clues below:



Across

Down

- | | |
|--------------------------------------------------------------------------------------------------------------------------------------------------------------------------------------------------------------------------------------------------------------------------------------------------------------------------------------------------------------------------------------------------|-----------------------------------------------------------------------------------------------------------------------------------------------------------------------------------------------------------------------------------------------------------|
| <p>1. The outer core of the Earth is _____.</p> <p>2. The outermost layer of the Earth is called the _____.</p> <p>4. There is a lot of _____ on the inner core and therefore the rocks cannot melt.</p> <p>6. The mantle is the _____ layer of the Earth.</p> <p>8. There is hot liquid _____ in the outer core.</p> <p>9. Scientists use _____ waves to investigate the Earth's structure.</p> | <p>1. Below the hard rock of the mantle is _____ rock.</p> <p>3. The inner and outer core is mostly made of nickel and _____.</p> <p>5. The mantle moves slowly and this can cause _____.</p> <p>7. Scientists cannot get to the centre of the _____.</p> |
|--------------------------------------------------------------------------------------------------------------------------------------------------------------------------------------------------------------------------------------------------------------------------------------------------------------------------------------------------------------------------------------------------|-----------------------------------------------------------------------------------------------------------------------------------------------------------------------------------------------------------------------------------------------------------|