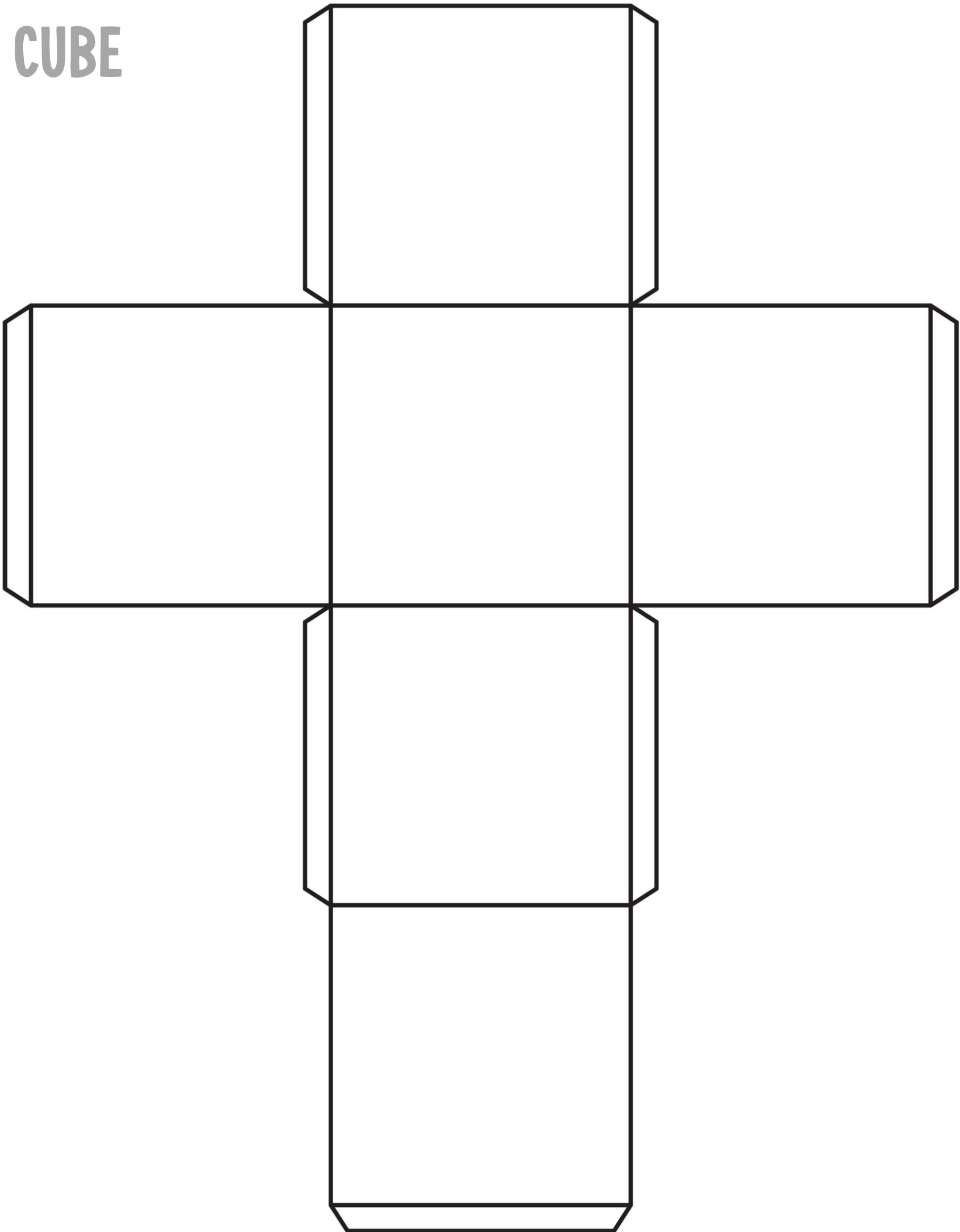
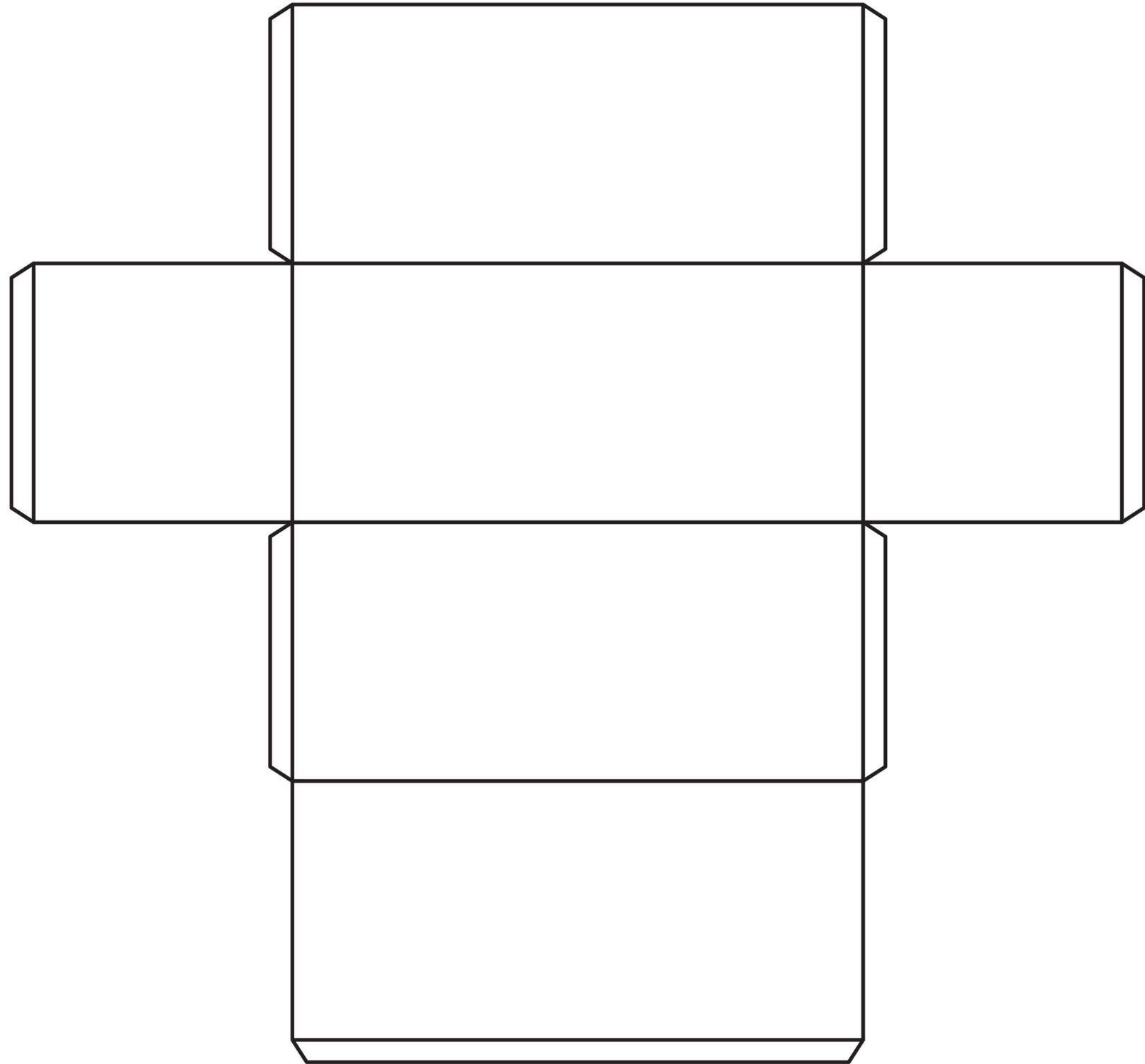


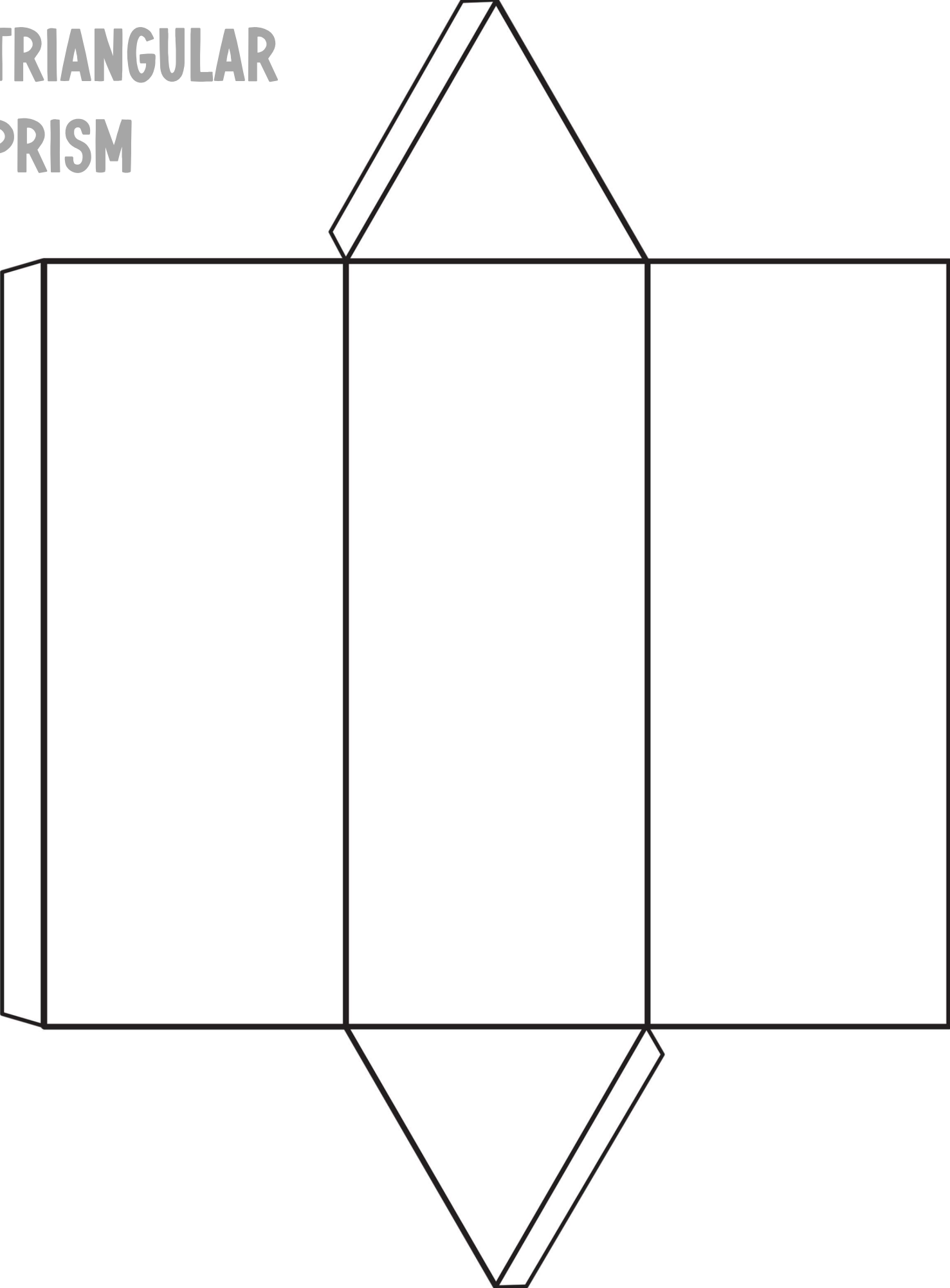
# CUBE



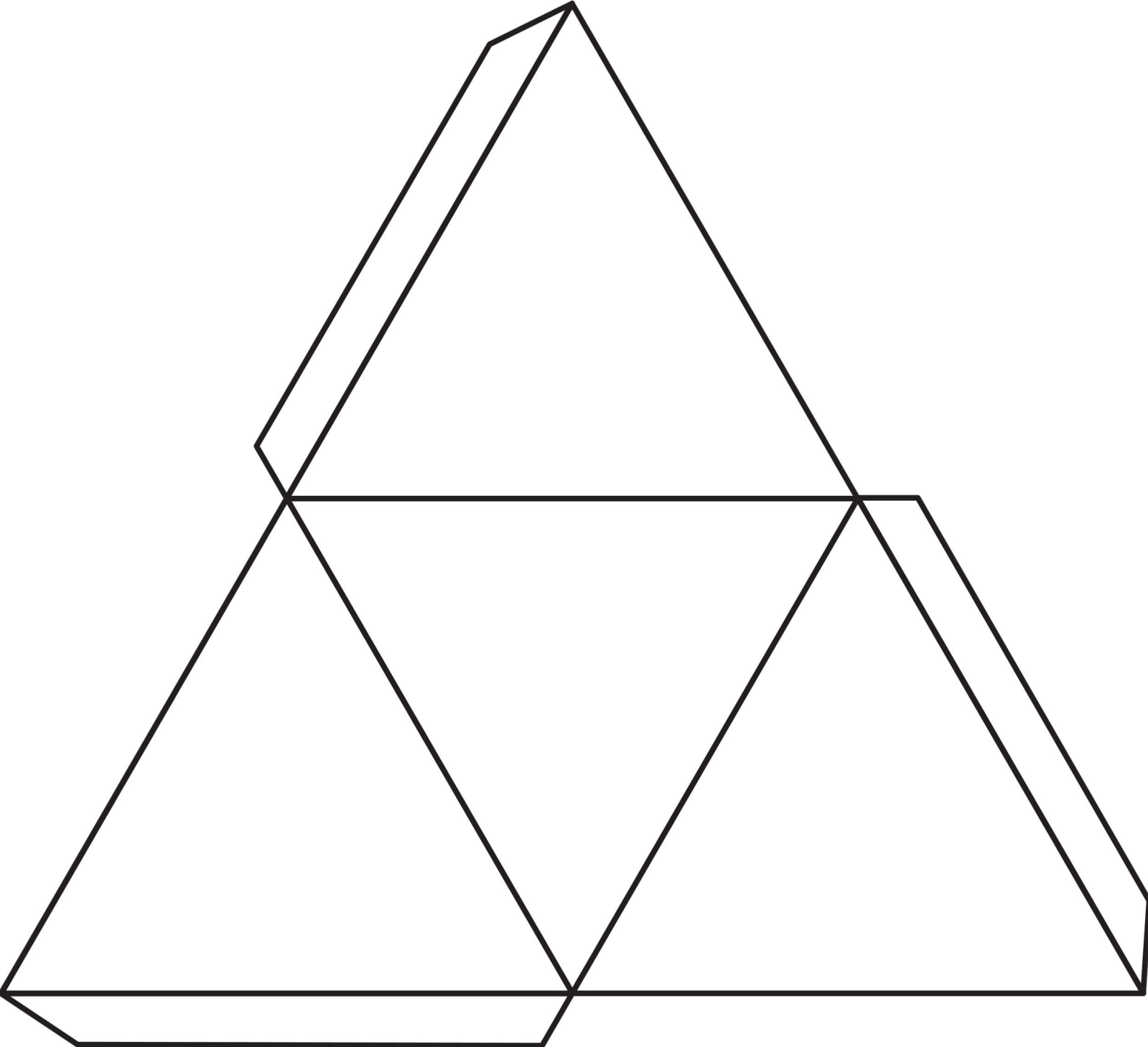
# RECTANGULAR PRISM



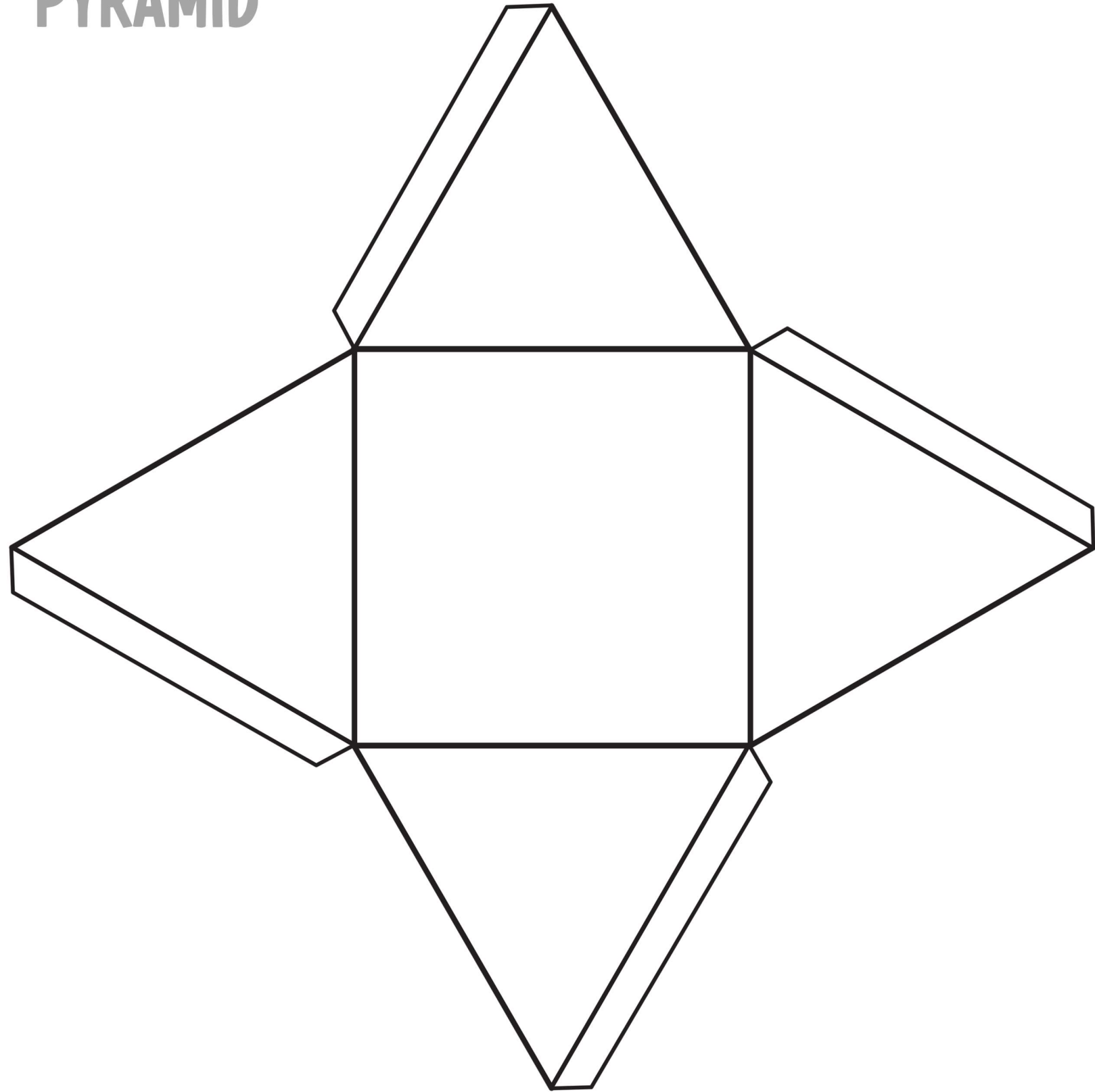
# TRIANGULAR PRISM



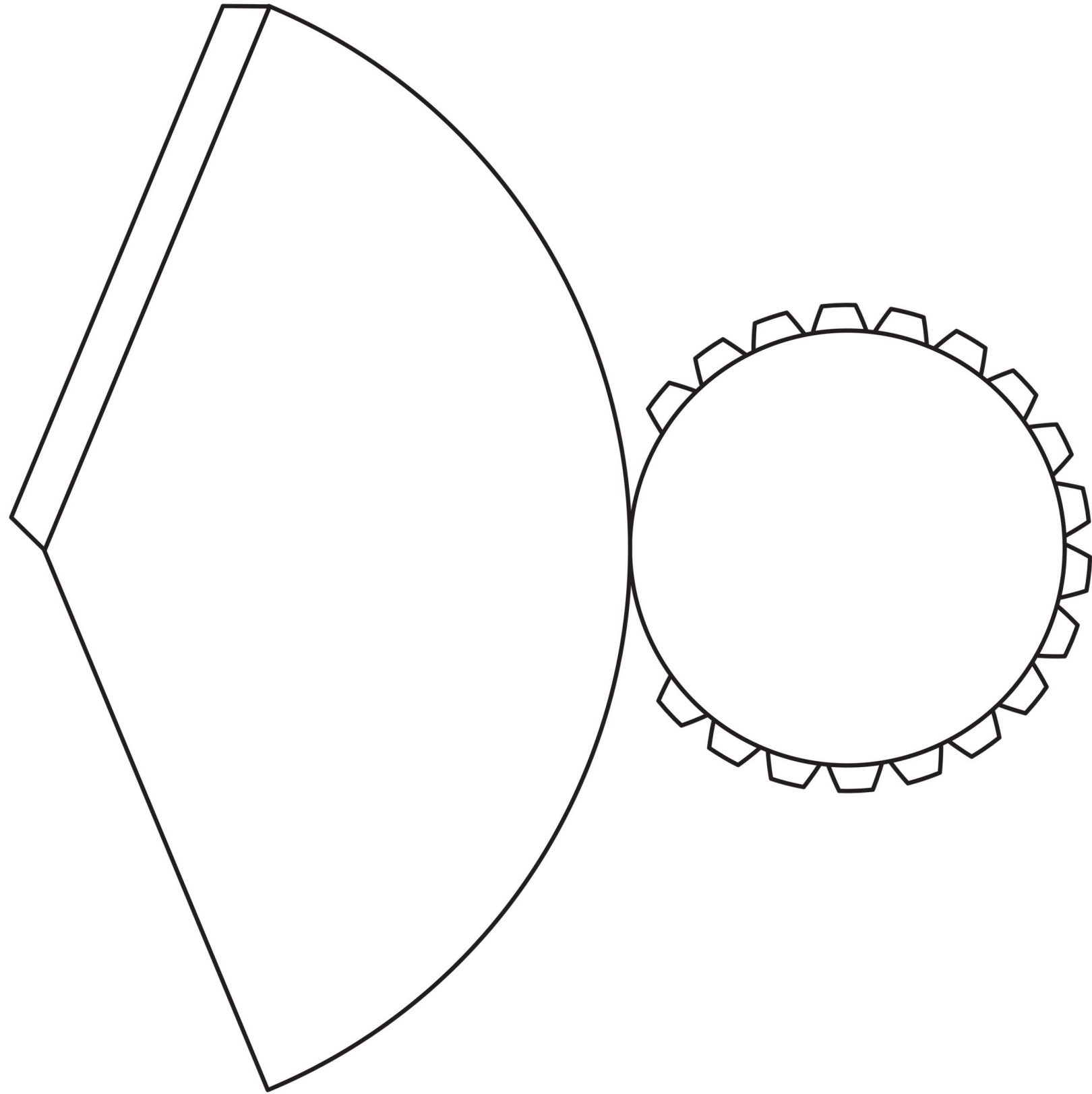
# TRIANGULAR PYRAMID



# SQUARE PYRAMID



# CONE



# CYLINDER

