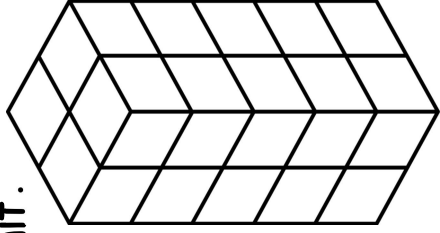


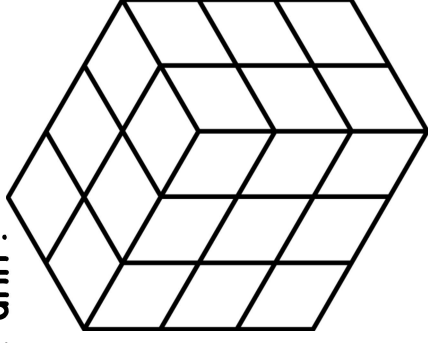
Determine the volume of the rectangular prism if each cube has a side length of 1 unit.



©Maneuvering the Middle LLC, 2015

1

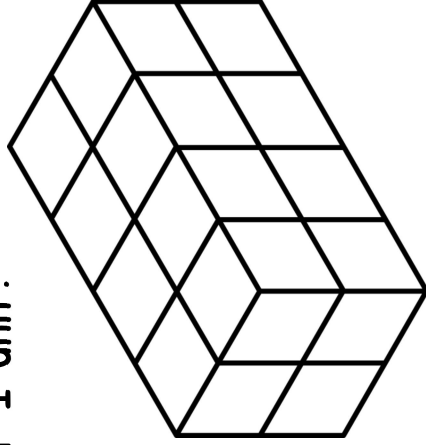
Determine the volume of the rectangular prism if each cube has a side length of 1 unit.



©Maneuvering the Middle LLC, 2015

2

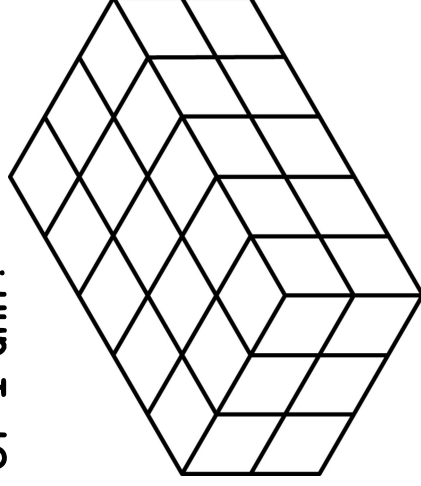
Determine the volume of the rectangular prism if each cube has a side length of 1 unit.



©Maneuvering the Middle LLC, 2015

3

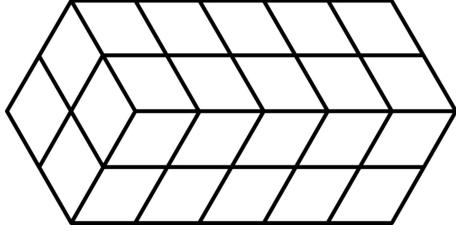
Determine the volume of the rectangular prism if each cube has a side length of 1 unit.



©Maneuvering the Middle LLC, 2015

4

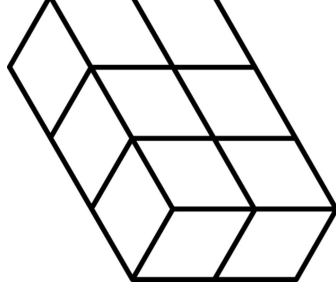
Determine the volume of the rectangular prism if each cube has a side length of $\frac{1}{2}$ cm.



5

©Maneuvering the Middle LLC, 2015

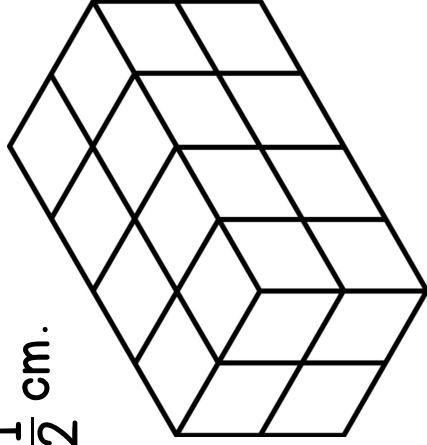
Determine the volume of the rectangular prism if each cube has a side length of $\frac{1}{3}$ cm.



6

©Maneuvering the Middle LLC, 2015

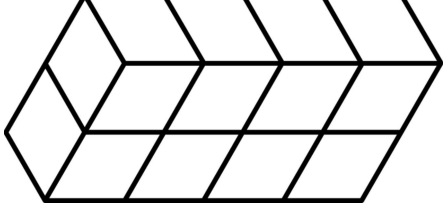
Determine the volume of the rectangular prism if each cube has a side length of $\frac{1}{2}$ cm.



7

©Maneuvering the Middle LLC, 2015

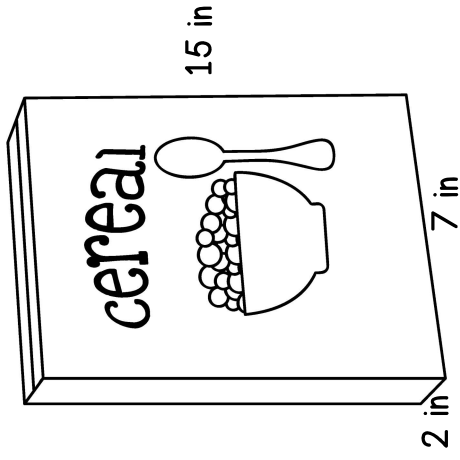
Determine the volume of the rectangular prism if each cube has a side length of $\frac{1}{3}$ cm.



8

©Maneuvering the Middle LLC, 2015

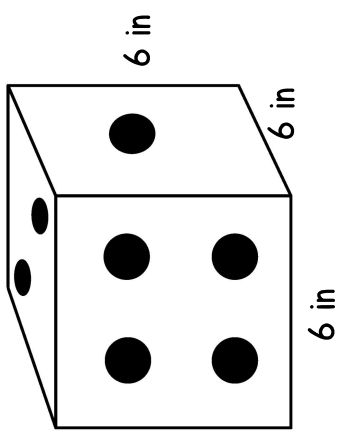
What is the volume of the cereal box?



©Maneuvering the Middle LLC, 2015

9

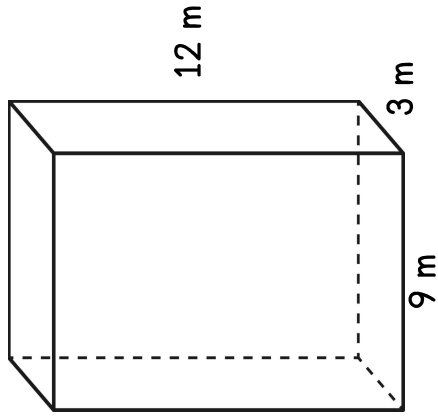
What is the volume of the number cube?



©Maneuvering the Middle LLC, 2015

10

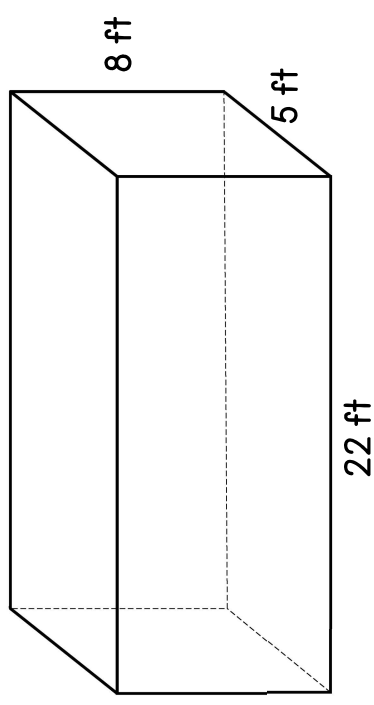
How many cubic meters will fill the rectangular prism below?



©Maneuvering the Middle LLC, 2015

11

How many cubic feet will fill the rectangular prism below?



©Maneuvering the Middle LLC, 2015

12

An aquarium is 14 inches wide, 8 inches long, and 12 inches high. The aquarium will be filled halfway with water. How many cubic inches of water will be in the fish tank?



13

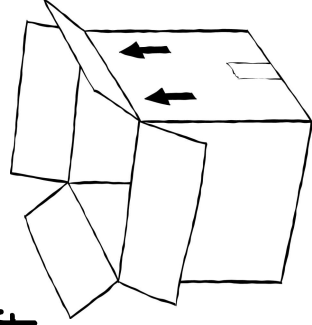
©Maneuvering the Middle LLC, 2015

A swimming pool holds 528 cubic feet of water. It measures 11 feet by 8 feet. How deep is the swimming pool?

14

©Maneuvering the Middle LLC, 2015

An order of packing peanuts was shipped in 5 boxes. Each box is a cube, measuring 9 inches in each dimension. How many cubic inches of packing peanuts are in the shipment?



15

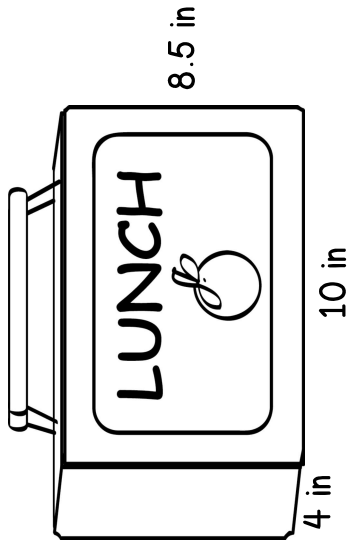
©Maneuvering the Middle LLC, 2015

If the volume of a rectangular prism is 315 cubic meters and the area of the base is 45 square meters, then what is the height of the rectangular prism?

16

©Maneuvering the Middle LLC, 2015

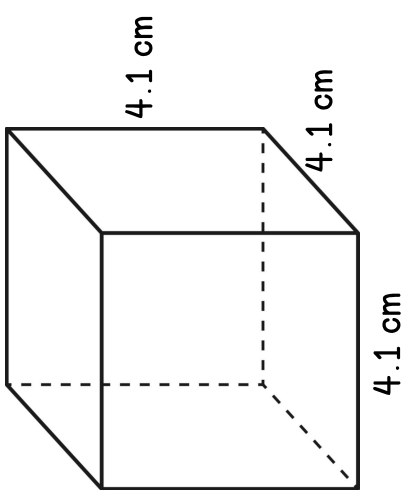
How many cubic inches will the lunch box below hold?



17

©Maneuvering the Middle LLC, 2015

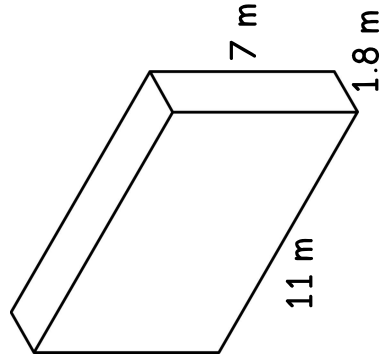
How many cubic centimeters will fill the cube below?



18

©Maneuvering the Middle LLC, 2015

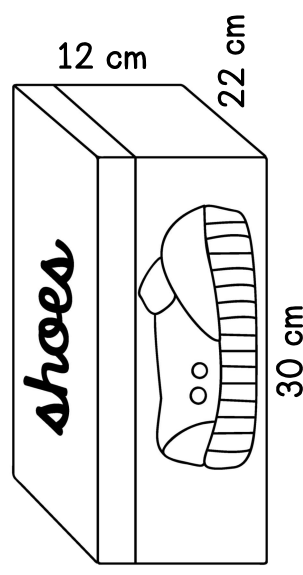
How many cubic meters will fill the rectangular prism below?



19

©Maneuvering the Middle LLC, 2015

What is the volume of the shoe box?



20

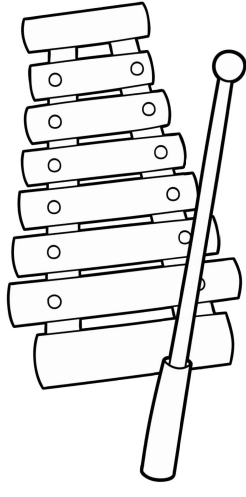
©Maneuvering the Middle LLC, 2015

A cube has a side length of 1.7 centimeters. What is the volume of the cube?

21

©Maneuvering the Middle LLC, 2015

A toy chest will hold 78 cubic feet of toys. The height of the chest is 4 feet and the width is 3 feet. What is the length of the toy chest?



©Maneuvering the Middle LLC, 2015

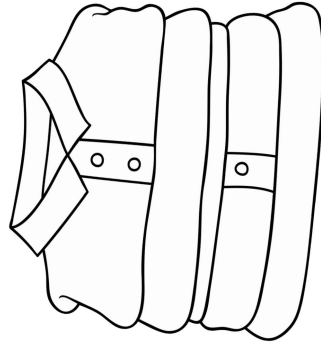
22

A rectangular prism measures 6.7 cm by 3.2 cm by 9 cm. What is the volume of the rectangular prism?

23

©Maneuvering the Middle LLC, 2015

A clothing trunk has a base area of 8 square meters. If it holds 12 cubic meters, what is the height of the trunk?



©Maneuvering the Middle LLC, 2015

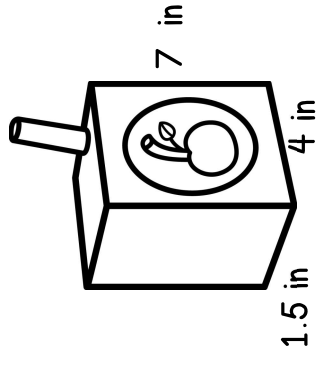
24

A terrarium is 9 inches wide, 6 inches long, and 10 inches high. The terrarium is filled halfway with dirt. How many cubic inches of dirt will be in the terrarium?

25

©Maneuvering the Middle LLC, 2015

An individual sized orange juice carton is a rectangular prism in shape. Find the amount of orange juice in the full carton.



©Maneuvering the Middle LLC, 2015

26

An order of tissues was shipped in 20 cube-shaped boxes, measuring 4 inches in each dimension. How many cubic inches of tissue are in the shipment?

27

©Maneuvering the Middle LLC, 2015

A container shaped like a rectangular prism is filled with sugar. It measures 14 inches by 6 inches by 3.5 inches. How much sugar does the container hold?

28

©Maneuvering the Middle LLC, 2015

Unit: Geometry
Volume Task Cards

Name _____
Date _____ Pd _____

VOLUME TASK CARDS

Show your work for each problem in the correct box.

1	2	3	4
5	6	7	8
9	10	11	12

13	14	15	16
17	18	19	20
21	22	23	24
25	26	27	28