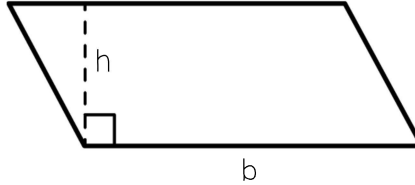


AREA OF TRIANGLES AND TRAPEZOIDS

AREA OF TRIANGLES

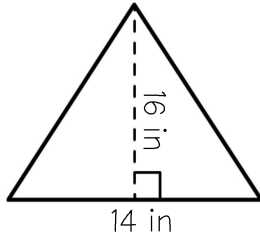
- Two triangles are formed when a _____ is cut in _____.



- Therefore, the formula for the area of a triangle is _____.
- The height of the triangle will form a _____ angle with the base of the triangle.

Label the base and the height of the triangle. Use the formula to find the area of each triangle.

1.

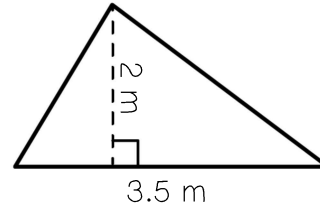


Formula: _____

Plug in Values: _____

Area: _____

2.



Formula: _____

Plug in Values: _____

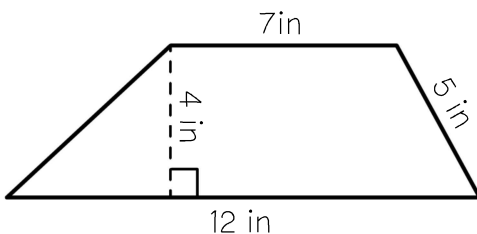
Area: _____

AREA OF TRAPEZOIDS

- A trapezoid is one or two _____ and a _____ combined.
- To find the area, use the formula _____, where:
 - b_1 is the _____
 - b_2 is the _____
 - h is the _____ of the trapezoid.



3. Use a formula to determine the area of the shape below.

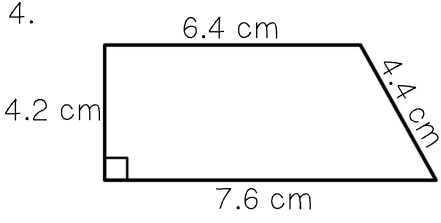
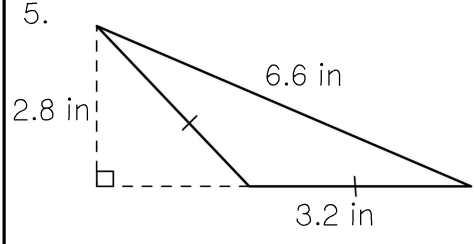
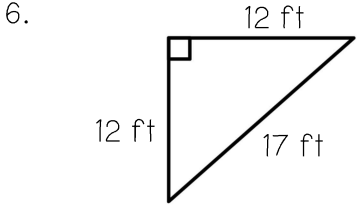


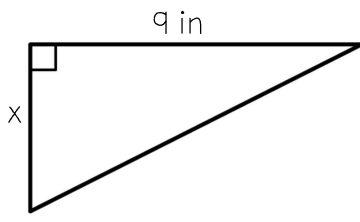
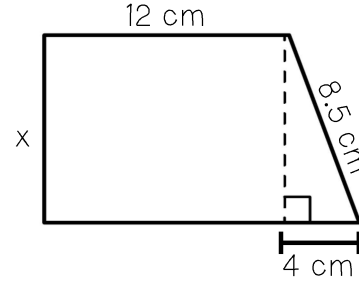
Formula: _____

Plug in Values: _____

Area: _____

Use your understanding of area to answer questions 4-9.

<p>4.</p>  <p>Formula: _____</p> <p>Plug in Values: _____</p> <p style="text-align: right;">Area: _____</p>	<p>5.</p>  <p>Formula: _____</p> <p>Plug in Values: _____</p> <p style="text-align: right;">Area: _____</p>	<p>6.</p>  <p>Formula: _____</p> <p>Plug in Values: _____</p> <p style="text-align: right;">Area: _____</p>
---	---	--

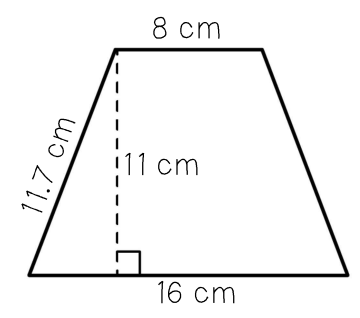
<p>7. A flag banner was created out of scrapbook paper. Eight flags were used to create the banner which has a total area of 108 in^2. What is the height of each flag?</p> 	<p>8. The area of the trapezoid below is 105 cm^2. What is the height?</p> 
---	---

9. Small tiles are used to create a mosaic art piece with a total area of $1,584 \text{ cm}^2$. Use the trapezoid below to determine whether each statement is true or false. If false, correct the statement in the space below.

_____ a. The area of one tile can be found using $\frac{1}{2}(16 + 8)(11.7)$.

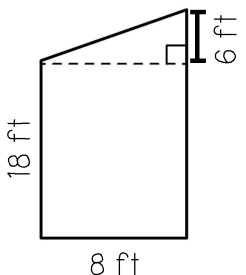
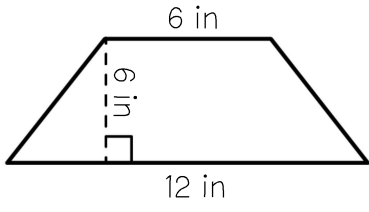
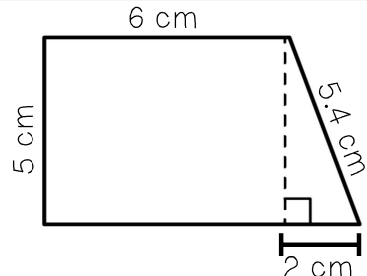
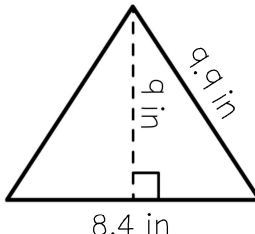
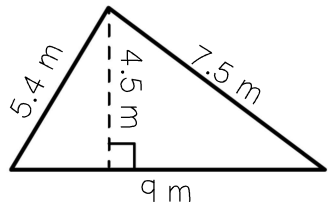
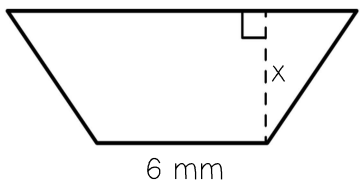
_____ b. The area of one tile is 132 cm^2 .

_____ c. In order to create the mosaic art piece, 15 tiles were used.



AREA OF TRIANGLES AND TRAPEZOIDS

Match each correct answer to a letter and complete the riddle below. Not all choices will be used.

<p>1</p> <p>What is the area of a right triangle with a height of 8.9 cm and a base of 14.3 cm?</p>	<p>5</p> <p>Find the area of the trapezoid at the right by decomposing it into familiar shapes.</p> 
<p>2</p> <p>What is the area of the trapezoid?</p> 	<p>6</p> <p>A triangle has an area of 38.4 cm^2. The height of the triangle is 12.8 centimeters. What is the length of the base of the triangle?</p>
<p>3</p> <p>Find the area of the trapezoid at the right.</p> 	<p>7</p> <p>What is the area of the triangle?</p> 
<p>4</p> <p>Find the area of the triangle below.</p> 	<p>8</p> <p>A trapezoid has an area of 35 mm^2. What is the height of the trapezoid?</p> 

L: 36	T: 5	F: 12.15	H: 56	A: 37.8	I: 127.5
R: 50.4	C: 12	E: 20.25	S: 35	G: 108	M: 168
H: 63.64	E: 3	W: 35.4	T: 6	A: 54	N: 24

WHAT IS BLACK AND WHITE AND HAS LOTS OF PROBLEMS?

2 5 7 6 1 8 4 3 6