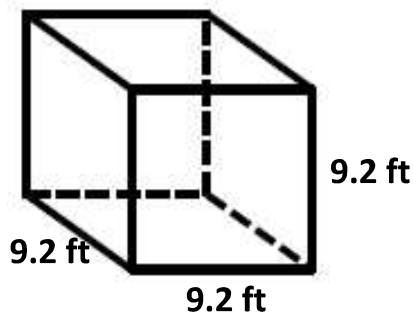


Name: _____ Date: _____ Hour: _____

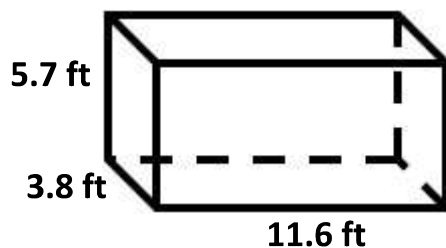
Surface Area and Volume and Volume of Prisms - Assignment

Part One: Find the surface area of each prism. Show all of your work and round to the nearest tenth.

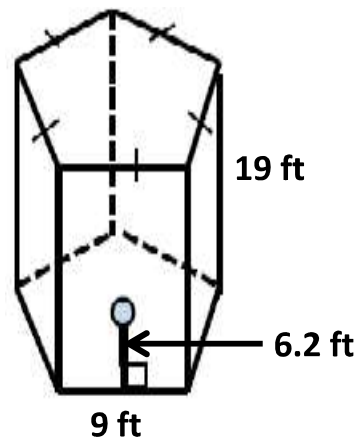
1. SA = _____



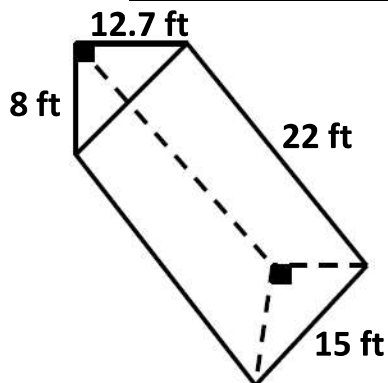
2. SA = _____



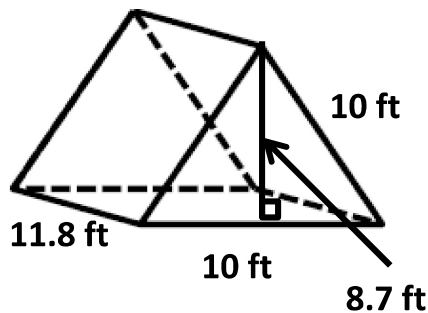
3. SA = _____



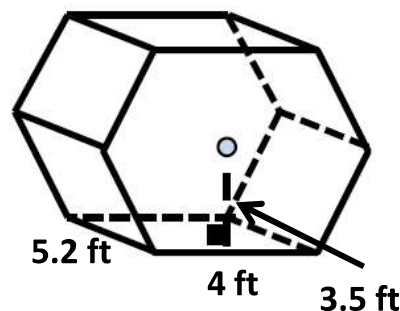
4. SA = _____



5. SA = _____

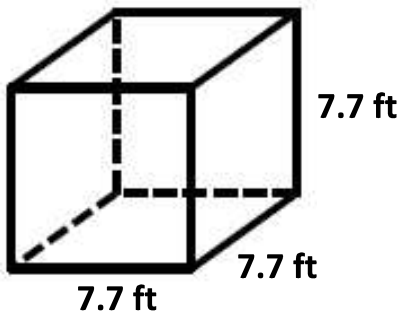


6. SA = _____

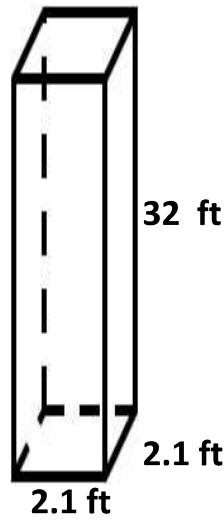


Part Two: Find the volume of each prism. Show all of your work and round to the nearest tenth.

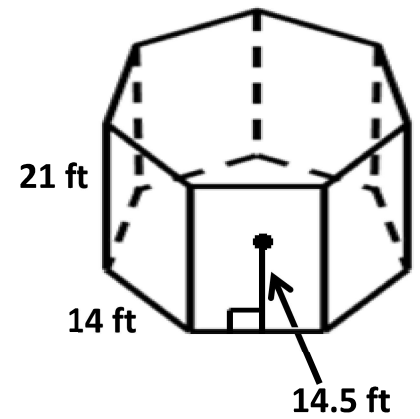
7. $v =$ _____



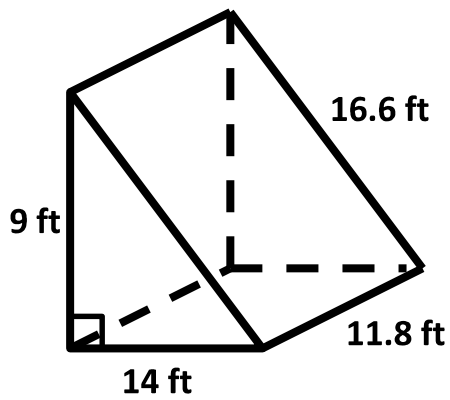
8. $v =$ _____



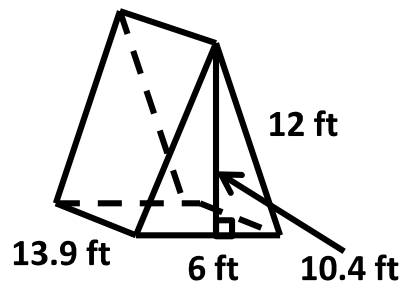
9. $v =$ _____



10. $v =$ _____



11. $v =$ _____



12. $v =$ _____

