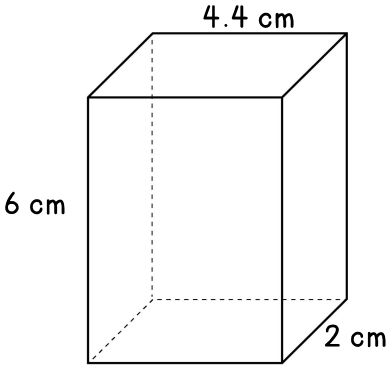
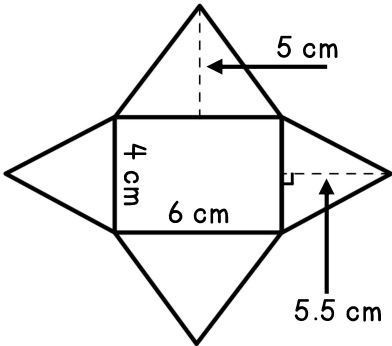
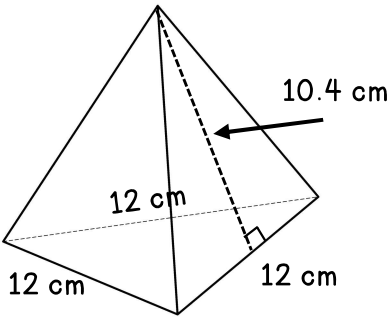
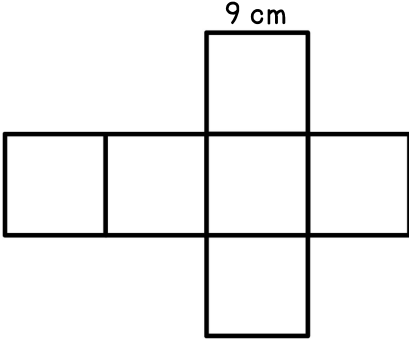
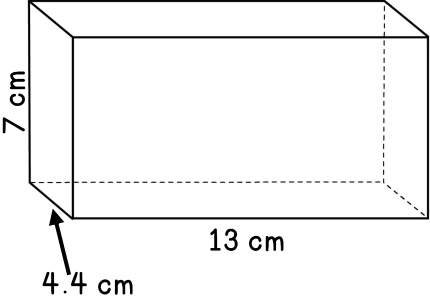
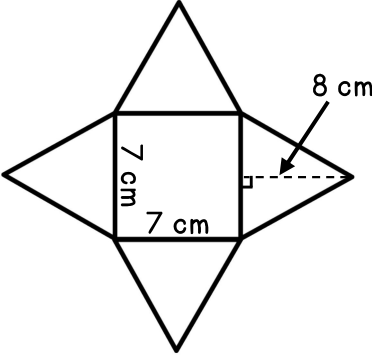
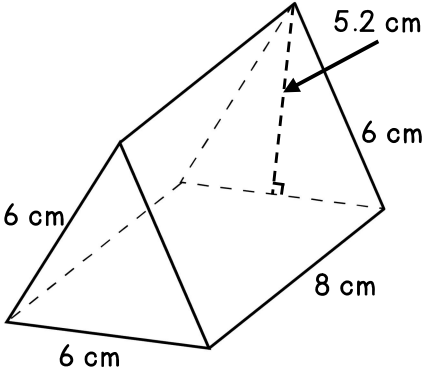
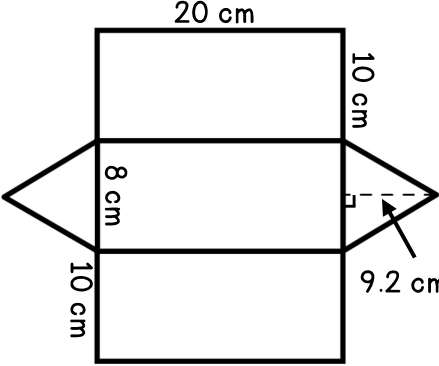
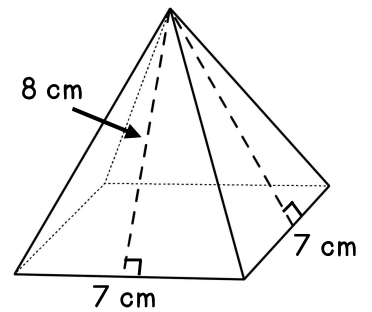
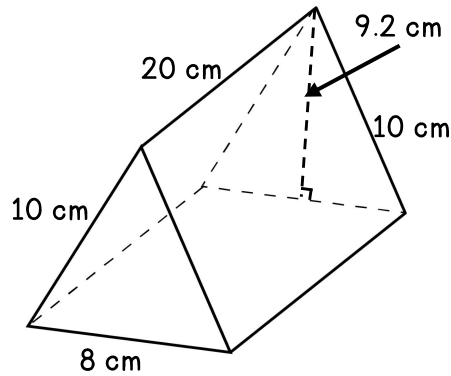
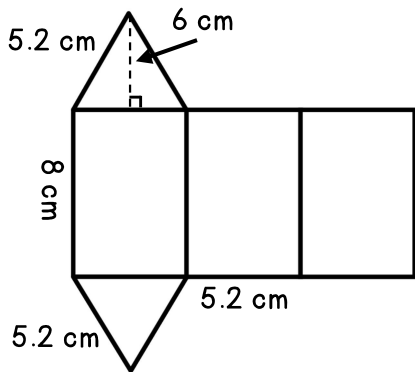
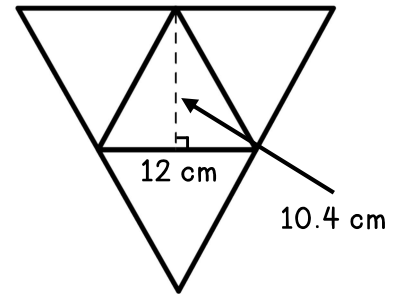
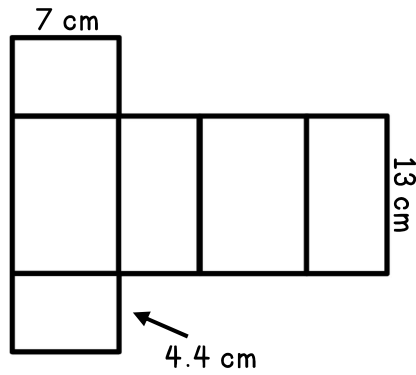
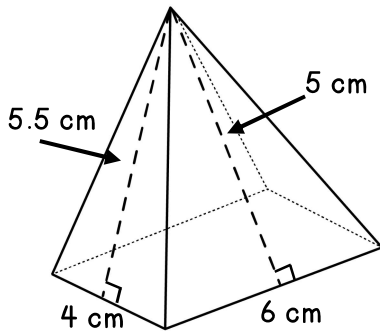
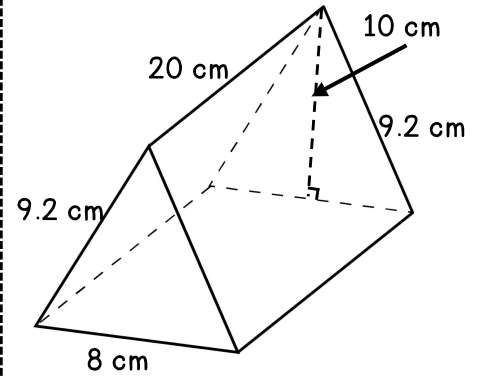
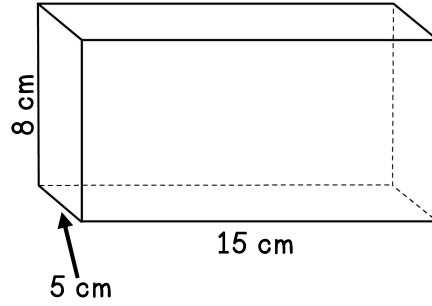
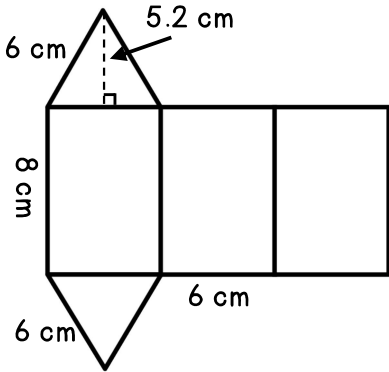
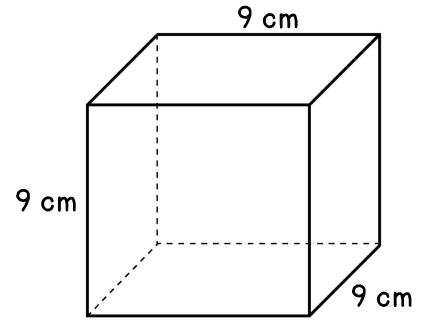
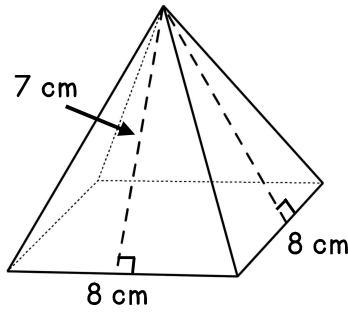
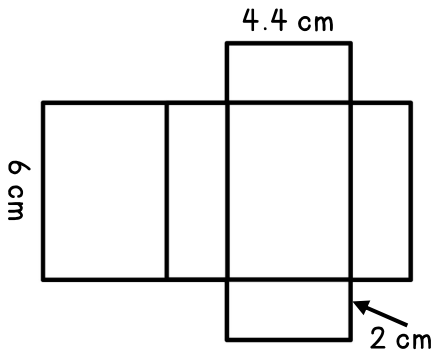


## SURFACE AREA AND NETS

Match each 3D figure with its net. Then determine the total surface area of the figure. Glue the cards to the appropriate spot and be careful because not all cards will be used.

3D FIGURE	NET	TOTAL SURFACE AREA
		<p>WORK:</p> <hr/> <p>[TOTAL SURFACE AREA]</p>
		<p>WORK:</p> <hr/> <p>[TOTAL SURFACE AREA]</p>
		<p>WORK:</p> <hr/> <p>[TOTAL SURFACE AREA]</p>
		<p>WORK:</p> <hr/> <p>[TOTAL SURFACE AREA]</p>

3D FIGURE	NET	TOTAL SURFACE AREA
		<p>WORK:</p> <hr/> <p>[TOTAL SURFACE AREA]</p>
		<p>WORK:</p> <hr/> <p>[TOTAL SURFACE AREA]</p>
		<p>WORK:</p> <hr/> <p>[TOTAL SURFACE AREA]</p>
		<p>WORK:</p> <hr/> <p>[TOTAL SURFACE AREA]</p>



76 cm<sup>2</sup>

161 cm<sup>2</sup>

249.6 cm<sup>2</sup>

358 cm<sup>2</sup>

94.4 cm<sup>2</sup>

673.6 cm<sup>2</sup>

179 cm<sup>2</sup>

175.2 cm<sup>2</sup>

633.6 cm<sup>2</sup>

486 cm<sup>2</sup>